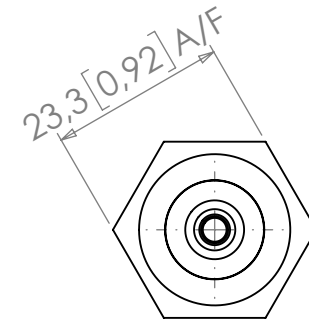
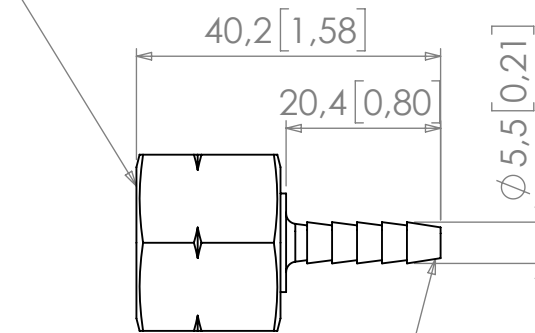


G3/8" FEMALE NUT R/H



TO SUIT 4.8mm(3/16")ID TUBE

|   |         |                   |              |   |                |
|---|---------|-------------------|--------------|---|----------------|
| 1   |         |                   |              | 07/10/2019  |                |
| REV   | CREATED | CHECKED           | APPROVED     | DWG DATE  | REF            |
| MATERIAL: BRASS   |         |                   |              |   |                |
| THIS DRAWING IS CONFIDENTIAL AND IS THE PROPERTY OF THE WEST GROUP LTD AND MAY NOT BE REPRODUCED IN WHOLE OR IN PART, OR USED FOR ANY OTHER PURPOSE OTHER THAN THAT FOR WHICH IT IS SUPPLIED. ALL RIGHTS IN RESPECT OF PATENTS, DESIGN AND COPYRIGHTS RESERVED. |         |                   |              | WEST GROUP LTD, UK<br>TEL: +44 (0) 23 9226 6031<br>WWW.WESTGROUP.CO.UK<br>SALES@WESTGROUP.CO.UK |                |
| TITLE: G3/8" FEMALE NUT R/H X 3/16" HOSETAIL, BRASS   |         |                   |              |   |                |
|   |         | DIM'S<br>mm[inch] | SCALE<br>NTS | SIZE<br>A4  | SHEET<br>1 / 1 |
|   |         |                   |              | DOCUMENT NUMBER<br>NTC HT316RH  | REVISION<br>1  |

